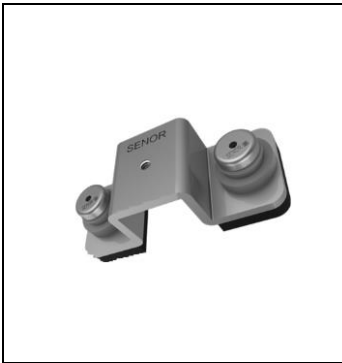


ANTI-VIBRATION HANGER MOUNTS

Series: SE-TAV



- Hybrid mounting design suited for both floor and wall mounting.
- Quick and easy to fit onto channels.
- Anti roll system prevents structure collapse during a fire.
- Optimal load: 3kg to 60kg per mount.
- Suited for mounting internal HVAC units, suspended ceilings, plant equipment, mechanical and electrical equipment.

MATERIAL

- Polymer Body: Kraiburg TPE
- Metal structure: Cold rolled steel with epoxy coating and EPDM backing
- Bowl shaped leveller: Cold rolled steel

Part Number	Colour	Thread Size	Weight Range per mount (Kg)	Material Data
SE-TAV-4000Gxx	Grey	M8 ~ M16	3 ~ 20	PDF
SE-TAV-4000Vxx	Green	M8 ~ M16	15 ~ 35	PDF
SE-TAV-4000Axx	Blue	M8 ~ M16	30 ~ 45	PDF
SE-TAV-4000Rxx	Red	M8 ~ M16	40 ~ 60	PDF

